

# Evans 90 Series

## *Mini-ball Valve Assemblies*

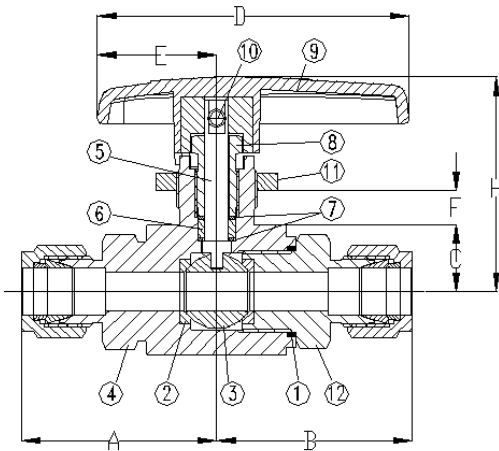


## Features

- CFOS Cleaned
- Helium leak tested to  $1 \times 10^{-7}$  ssc/sec
- No Lube standard

 **EVANS**  
COMPONENTS, INC.<sup>®</sup>

# Drawings & Specifications



## Dimensions List - IN/mm

SIZE	PART NUMBER	ORIFICE	CV	H	A	B	C	D	E	F
1/4 6.35	SS-93S4	.18 4.6	2.4	1.28 32.5	1.35 34.2	1.35 34.2	.35 8.8	1.97 50	.76 19.2	.13 3.3
3/8 9.53	SS-94S6	.28 7.1	6.0	1.83 46.4	1.62 41.1	1.62 41.1	.47 12	2.6 66	1 25.4	.25 6.3
1/2 12.7	SS-95S8	.41 10.3	12	2.3 58.4	2.1 53.1	2.1 53.1	.72 18.2	3.33 84.7	1.28 32.5	.38 9.6
3/4 19.05	SS-95S12	.41 10.3	6.42	2.3 58.4	2.1 53.2	2.1 53.2	.72 18.2	3.33 84.7	1.28 32.5	.38 9.6

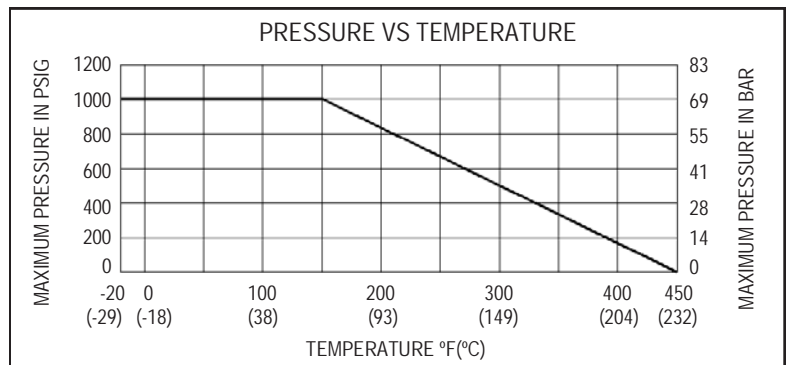
## Materials List

NO.	PART NAME	QTY	MATERIAL
1	Connector O-ring	1	PTFE
2	Seat	2	TFM 1600
3	Ball	1	316 Stainless Steel
4	Body	1	ASTM A 351 Grade CF8M
5	Stem	1	ASTM A 276 TYPE 316
6	Stem Seal	1	PTFE
7	Stem Washer	2	316 Stainless Steel
8	Packing Nut	1	ASTM A 276 TYPE 316
9	Handle	1	Glass reinforced nylon
10	Handle Set Screw	1	Stainless Steel
11	Panel Nut	1	ASTM A 351 Grade CF8M
12	End Connector	1	ASTM A 351 Grade CF8M

## Optional Colored Handle Designator

(Leave Blank for Standard Black Handle)

B - Blue      W - White  
G - Green      Y - Yellow  
R - Red      I - Pink



**Evans Components, Inc.**

7606 Bridgeport Road  
Portland, Oregon 97224

Phone: 971-249-1600

Fax: 971-249-1601

Web Site: [www.evanscomponents.com](http://www.evanscomponents.com)

NOTE: Product availability and specifications contained herein are subject to change without notice. Consult local distributor or factory for potential revisions.